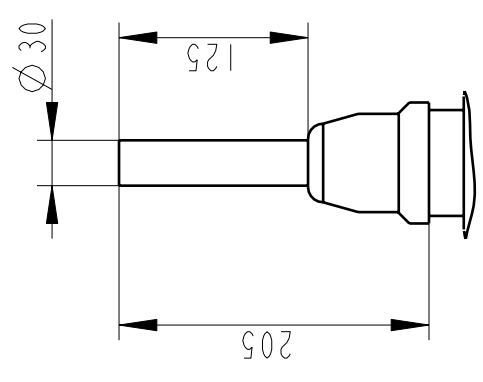
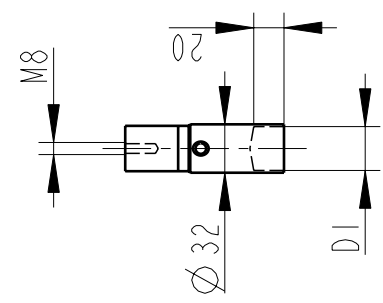


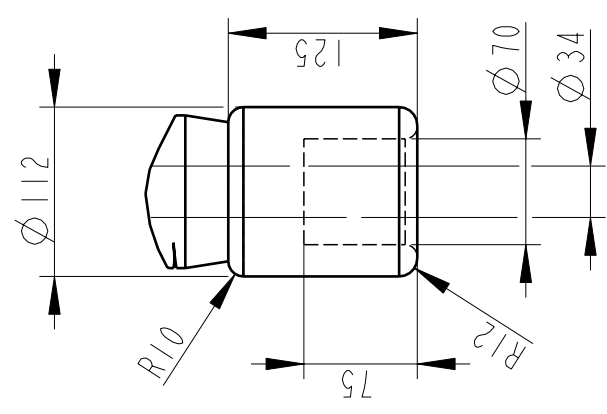
**OUTER TERMINAL**



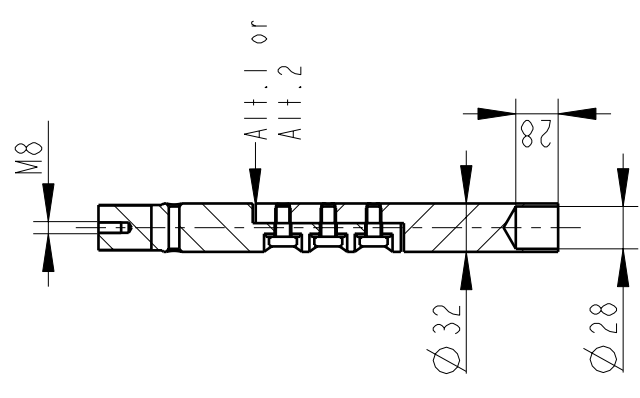
**INNER TERMINAL FOR STRANDED CABLE**



**END SHIELD**



**SOLID ROD CONNECTOR**



The solid rod can be divided either:  
 Alt.1: 20mm below the bushing flange or  
 Alt.2: 20mm below the upper end of the bottom porcelain

**Bushing Data:**

Rated Voltage	52 kV
Phase to Ground Voltage	52 kV
Dry Lightning Impulse 1,2/50µs	250 kV
Wet power frequency AC	105 kV
Routine test Imin dry 50Hz	120 kV
Rated Current	1250 A
Creepage Distance	1500±50 mm
Creepage Distance Protected	580 mm
Mass	29 kg

**Ordering Data:**

<b>BUSHING</b>	COLOUR AIR INSULATOR
LF123019-M	BROWN
-N	LIGHT GREY
<b>OUTER TERMINAL</b>	
LF 170 002-B	Cu, Ø 30, L=125
LF 170 001-B	Al, Ø 30, L=125
OTHER TYPES ON REQUEST	
<b>INNER TERMINAL FOR STRANDED CABLE</b>	
<b>For brazing</b>	Conductor area DI
LF 170 011-T	up to 285mm <sup>2</sup> Ø 29
LF 170 011-V	Undrilled with pilot hole Ø 5
<b>SOLID ROD CONNECTOR</b>	
LF 170 052 -D for Alt.1	
LF 170 052 -B for Alt.2	

<b>ABB Components</b> Lubbö, Sweden	
No. U / S / AC	kv tr A 50/60 Hz kv
M	kg L mm V
C1	pf Tan δ r
C2	pf Tan δ r

Based on	Reg. No.
Prepared	Responsible department
Lövnord	COM/BK
Approved	Take over department
Johansson	Database
Design engineering review	
Hedlund	

Title	Language
GOB 250-1250-0.3	
WITHOUT OIL LEVEL GAUGE	
LONG END SHIELD	
Page	Page
	I(1)
Document No.	
2751369-118	

**ABB** ABB Components

We reserve all rights in this document and in the information contained therein. Reproduction, use or disclosure to third parties without express authority is strictly forbidden.  
 ©ABB